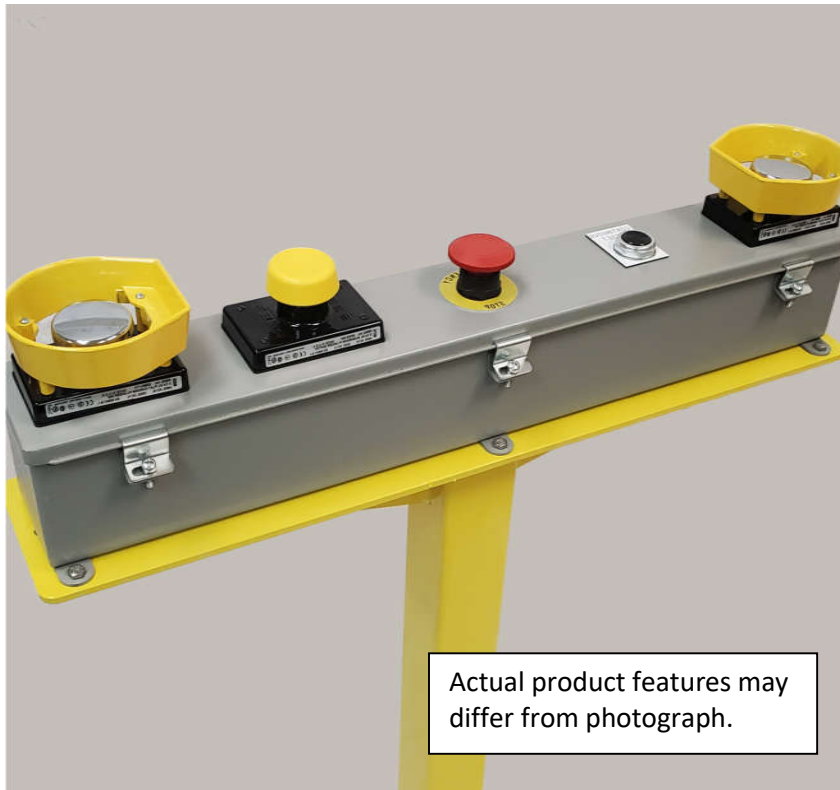


MODEL PBRB – PALM BUTTON RUN BAR ASSEMBLY



Features:

- Jumbo Sized Buttons
- Ergonomic Layout
- Button Ring Guards
- Engraved Legends
- Easy-Open Enclosure
- Robust Construction
- Powder Coat Finish
- Plug and Play Operation
- Customizable Features

Applications:

- Punch Press
- Hydraulic Press
- Press Brake
- Spot Welder
- Crimping/Cutting Machine
- Forming Machine
- Automated Assembly Machine

General Description:

The EvoLogic PBRB – Run Bar Assembly is a two-hand control station, intended for use as the start/run switch for any automated machine cycle. The dual palm buttons require that the operator remain tethered to the control station in order to maintain the run permissive for the machine. This prevents the operator from reaching any hazards associated with the active machine cycle.

The PBRB's rugged design utilizes proven components, to ensure reliable operation and a long lifespan. Components include REES palm buttons, Allen-Bradley accessory buttons, and Turck quick connect cables. The PBRB base model includes two palm buttons with ring guards, mounted in a 30" long enclosure. Optional features include jumbo E-stop button, jumbo top stop button, preset button, customizable buttons, heavy-duty floor stand, and quick connect cable kit.

Ordering Information:

PBRB - E T P S QB - C
 a b c d e f

a

Emergency Stop Button	
Code	Description
X	No E-Stop
E	Jumbo, Red, E-Stop Button (a)

d

Floor Stand	
Code	Description
X	No Stand
S	Heavy Duty, Floor Stand (d)

b

Top Stop Button	
Code	Description
X	No Top Stop
T	Jumbo, Yellow, Top-Stop Button (b)

e

Quick Connect Kit	
Code	Description
X	No QC Kit
QB	Bottom Mount Quick Connect (e)
QR	Rear Mount Quick Connect (e)

c

Preset Button	
Code	Description
X	No Top Stop
P	Flush, Black, Preset Button (c)

f

Custom Button Configuration	
Code	Description
blank	Standard Configuration
C	Custom Button Configuration (f)

*** The PBRB Base unit includes a continuous hinge enclosure (4" x 4" x 30"), with two REES palm buttons, and ring guards. Each palm button has one N.O. and one N.C. contact.

- (a) Allen-Bradley, 800T, jumbo, red, maintained, emergency stop push button. Two N.C. contacts. Twist to release operation. Includes yellow background with "EMERGENCY STOP" legend.
- (b) Allen-Bradley, 800T, jumbo, yellow, momentary, mushroom head push button. One N.O. and one N.C. contact. Includes engraved "TOP STOP" legend.
- (c) Allen-Bradley, 800T, flush, black, momentary, push button. One N.O. and one N.C. contact. Includes engraved "PRESET" legend.
- (d) Heavy duty, non-adjustable floor stand. Flat base for free standing or anchored installation.
- (e) The Quick Connect Kit includes a J-box (8" x 6" x 4") with terminals, to be field mounted on the machine. It also includes one male and one female bulkhead fitting and a quick connect cable. The kit comes fully assembled with all bulkhead fittings pre-wired to terminal blocks. The bottom mount configuration is fully compatible with the floor stand option, and reduces hanging stress on the cable connector. The rear mount configuration allows easy installation onto an existing fixture.
- (f) Call to order special configurations such as additional buttons, extra contacts, NEMA 4X rating, etc.

Specifications:

Enclosure Specification	
Dimensions	Nominal Size: 4" x 4" x 30" (without buttons or stand)
Cover	Continuous hinge, external clamps, oil resistant gasket
Construction	Powder coated carbon steel
Environmental Rating	NEMA 4, IP 66
Weight	~ 19Lb. (fully assembled E-stop, top-stop, and preset)
Palm Button Specification	
Button Construction	2.25" diameter, metal
Operating Force	2.5 lb.
Contacts	(1) N.C. and (1) N.O. - momentary
Terminals	Accepts up to (2) #14 wires
Operations	1,000,000 operations
AC Amperage Rating	6 Amps @ 120VAC, 3 Amps @ 240VAC
DC Amperage Rating	2.2 Amps @ 125VDC, 1.1 Amps @ 250VDC
Environmental Rating	NEMA 12, IP 65
Operating Temperature	32°F to 131°F
Storage Temperature	-40°F to 185°F
E-Stop Button Specification	
Button Construction	2.25" diameter, plastic
Operating Force	9 lb. max, push or pull
Contacts	(2) N.C. - maintained, push-pull
Terminals	Accepts (2) #18 to #14 wires
Operations	250,000 operations
AC Amperage Rating	10 Amps, 24 to 240VAC
DC Amperage Rating	2.5 Amps, 24 to 240VDC
Environmental Rating	NEMA 4/12, IP 65
Operating Temperature	-40°F to 131°F
Storage Temperature	-40°F to 185°F
Top Stop Button Specification	
Button Construction	2.25" diameter, plastic
Operating Force	3 lb. max.
Contacts	(1) N.C. and (1) N.O. - momentary
Terminals	Accepts (2) #18 to #14 wires
Operations	1,000,000 operations
AC Amperage Rating	10 Amps, 24 to 240VAC
DC Amperage Rating	2.5 Amps, 24 to 240VDC
Environmental Rating	NEMA 4/12, IP 65
Operating Temperature	-40°F to 131°F
Storage Temperature	-40°F to 185°F

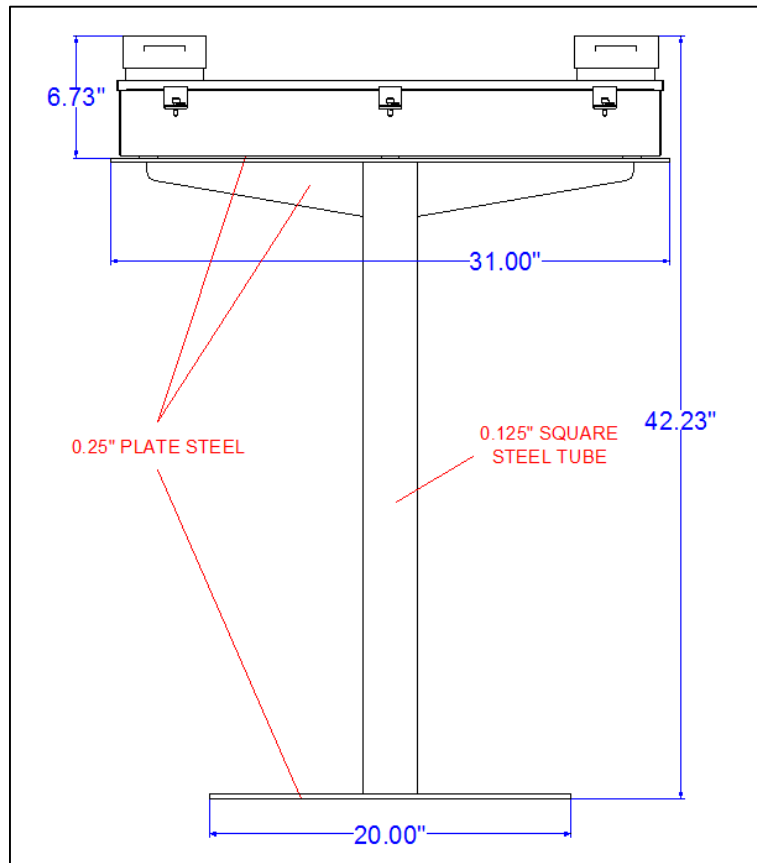
Specifications Continued:

Continuous Preset Button Specification	
Button Size	1" diameter
Operating Force	3 lb. max
Contacts	(1) N.C. and (1) N.O. - momentary
Terminals	Accepts (2) #18 to #14 wires
Operations	1,000,000 operations
AC Amperage Rating	10 Amps, 24 to 240VAC
DC Amperage Rating	2.5 Amps, 24 to 240VDC
Environmental Rating	NEMA 4/12, IP 65
Operating Temperature	-40°F to 131°F
Storage Temperature	-40°F to 185°F
Floor Stand Specification	
Base Dimensions	20" x 20"
Post Dimensions	3" x 3" x 35"
Platter Dimensions	5.75" x 31"
Overall Height	42.25" (with buttons and enclosure)
Construction	Powder coated carbon steel
Weight	~57 Lb. (without buttons or enclosure)
Quick Connect Kit Specification	
J-Box Dimensions	8" x 6" x 4"
Construction	Powder coated carbon steel, oil resistant gasket
Environmental Rating	NEMA 4, IP 66
Cable Length	5m (16.4')
Cable Construction	PVC (oil resistant)
Cable Conductors	19 conductors
Cable Amps	3 Amp Max
Cable Voltage	240VAC/VDC
Weight	~ 8Lb. (fully assembled with cable)

Safety Considerations:

To ensure operator safety, the Palm Button Run Bar Assembly must be installed in a location that prevents the operator from releasing the palm button(s) and reaching a machine hazard, before the machine has come to a complete stop. Additional precautions may be necessary to protect other operators in the area of the machine. This assembly does not provide high-level machine control functions, such as anti-tie-down, anti-repeat, synchronous actuation, and fault monitoring. This assembly must be paired with an appropriate machine safety controller to provide these functionalities.

It is the end-user's responsibility to deploy and maintain this assembly in a manner that provides safe and reliable machine control. Machine control design should comply with all applicable standards, including but not limited to: NFPA 79, ANSI B11.19, and ISO 13581. Electrical installation of the assembly must be performed by a qualified professional, in accordance with all federal, state, and local standards.



Rev. March 2021

EvoLogic, Inc.
Tel. (563) 556-2144
Fax. (563) 556-2145
www.evologic.us

EvoLogic
INDUSTRIAL AUTOMATION