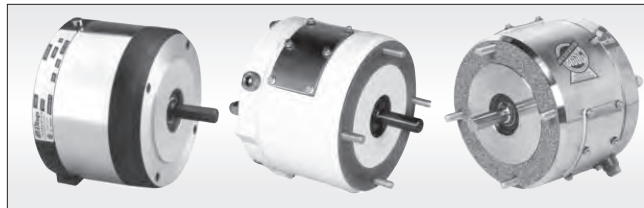


# 60 Series Double C Face

**NEMA Frame Sizes 56C, 143TC, 145TC**  
**Torque Ratings: 1.5 to 20 lb-ft**



## Specifications:

Reaction Time: 15-20 milliseconds (release and set)  
 AK: 4.5" Register  
 AJ: 5.88" Bolt Circle  
 Thermal Capacity: 6 HPS/MIN  
 Maximum RPM: 3600  
 CSA File #LR13814  
 Coil insulation:  
 Class B : 1.5, 3, 10 & 15 lb-ft brakes (Class H optional)  
 Class H : 6 & 20 lb-ft brakes  
 Instructions and Parts Manual:  
 NEMA 2 = BK4650  
 NEMA 4 = BK4652  
 NEMA 4X aluminum = BK4646  
 NEMA 4X stainless steel = BK4651

## Design Features:

Direct acting design with no linkages to break  
 One moving part for longer life  
 Torque adjustable for specific applications  
 Splined hub  
 Plated internal parts - RoHS compliant  
 Spring set, electrically released  
 Lead wires for internal or conduit connections  
 Manual release, automatic reset  
 All position brake available

## Enclosure Types:

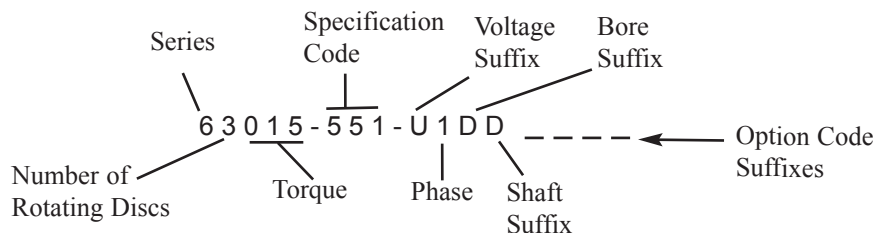
**Dripproof NEMA 2, CSA 2, IP41**  
 Aluminum bracket & housing with steel wrap cover  
 Exterior Paint: Gray enamel  
 Nameplate: Thermally printed adhesive label

**Waterproof/Dusttight Enclosure NEMA 4, CSA 4, IP56**  
 Aluminum bracket and housing with stainless steel caps  
 Exterior Paint: Gray enamel  
 Nameplate: Stainless steel

**Washdown Enclosure NEMA 4X, CSA 4, IP56**  
**WHITE BISSC**  
 Aluminum bracket and housing with stainless steel caps  
 and FDA Approved white epoxy paint  
**BISSC Certified** Authorization #695  
 Nameplate: Stainless steel

**STAINLESS STEEL BISSC**  
 300 Series Stainless steel bracket, housing and caps  
**BISSC Certified** Authorization #695  
 Nameplate: Stainless steel

## Brake Model Number Definition



| Standard AC Voltages<br>(single phase only): |                                       |
|--|---------------------------------------|
| Suffix                                       | Voltage                               |
| Y  | 110/220V, 50Hz                        |
| U  | 230/460V, 60 Hz or<br>190/380V, 50 Hz |
| 5  | 208-230/460V, 60 Hz                   |
| R  | 115/230V, 60 Hz                       |
| 1  | 115/208-230V, 60 Hz                   |
| T  | 220/440V, 60 Hz                       |
| P  | 575V, 60 Hz                           |

Special voltages available.

| Optional DC Voltages<br>(See price for DC modification): |         |                  |
|--|---------|------------------|
| Suffix   | Voltage | List Price Adder |
| A  | 12      | \$               |
| B  | 24      | \$               |
| C  | 36      | \$               |
| D  | 48      | \$               |
| 7  | 76      | \$               |
| E  | 95      | \$               |
| H  | 115     | \$               |
| M  | 230     | \$               |

Special voltages available.

| Available Options:   | Suffix |
|--|--------|
| Adapter to Larger Frame Size(s)  | A      |
| Reverse Adapter  | AB     |
| Foot Mounting Bracket  | F      |
| Heavy-Duty Rotating Friction Disc<br>with Hardened Steel Hub             | H      |
| Marine/Maritime Duty with MIL-SPEC<br>paint per TT-P-645 & MIL-DTL-15090 | M      |
| Marine/Maritime Duty   | N      |
| Tropical Protection  | P      |
| Internal Space Heater  | R      |
| Stainless Steel Stationary Disc  | S      |
| Through Shaft  | T      |
| Class H Insulation   | Q      |
| Vertical Mounting  |        |
| Vertical Over, or above motor  | VO     |
| Vertical Under, or below motor   | VU     |
| Micro-Switch Warning   | XS     |

**Refer to pages 53-58 for option descriptions & pricing.**

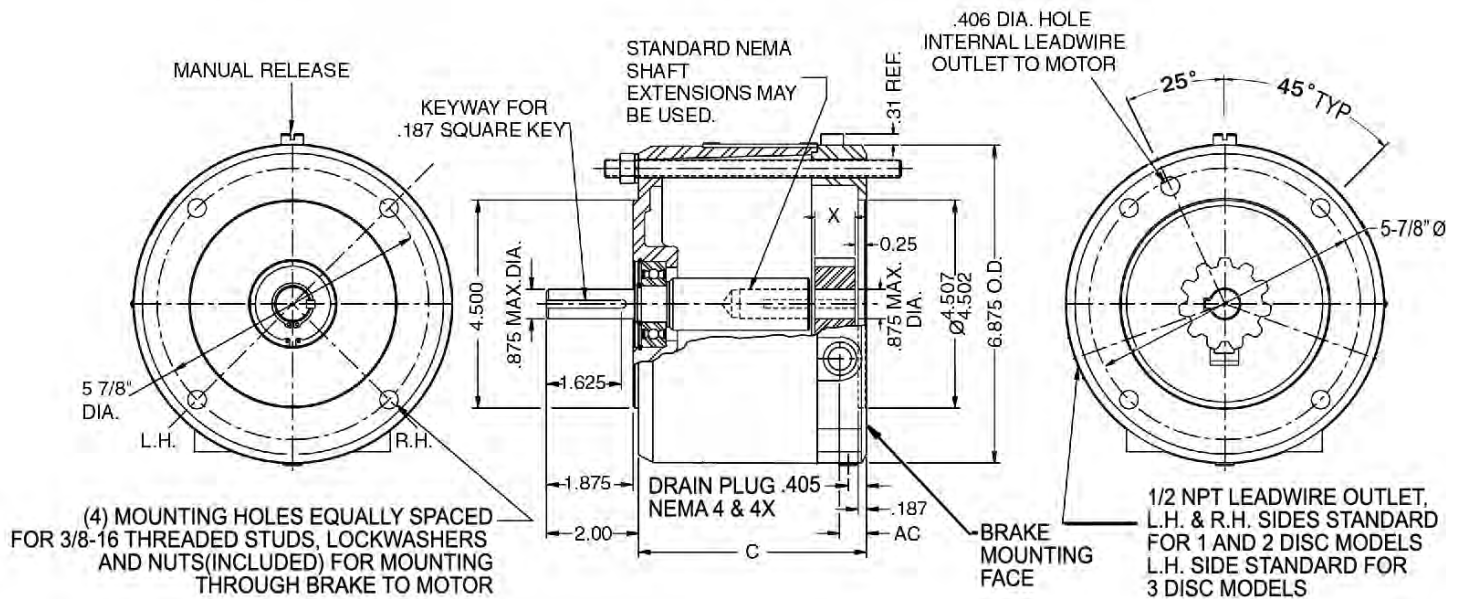
| Standard Hub Bore & Shaft Sizes: |      |               |
|----------------------------------|------|---------------|
| Suffix                           | Size | Keyway        |
| D                                | 5/8" | 3/16" x 3/32" |
| F                                | 7/8" | 3/16" x 3/32" |

Special bore sizes available.

| Torque<br>lb-ft | Dings<br>Model # | Replacement for<br>Stearns® Model<br>(NOTE1) | Enclosure | Construction    | Wt.<br>Lbs. | Inertia<br>Wk <sup>2</sup><br>lb-ft <sup>2</sup> | Dimensions in inches |                   |                   |      | List<br>Price |
|-----------------|------------------|--|-----------|-----------------|-------------|--|----------------------|-------------------|-------------------|------|---------------|
|                 |                  |  |           |                 |             |  | C                    | X                 |                   | AC   |               |
|                 |                  |  |           |                 |             |  |                      | 1-Piece<br>Shaft* | 2-Piece<br>Shaft* |      |               |
| 1.5             | 61001-551        | 1-056-701-0X                                 | NEMA 2    | Cast Aluminum   | 11          | 0.006  | 4.94                 | 0.81              | 0.88              | 0.59 | \$            |
|                 | 61001-5153       | 1-056-702-0X                                 | NEMA 4    | Cast Aluminum   | 11          | 0.006  | 4.94                 | 0.81              | 0.88              | 0.59 | \$            |
|                 | 61001-5155       | 1-056-704-0X                                 | NEMA 4X   | Cast Aluminum   | 11          | 0.006  | 4.94                 | 0.81              | 0.88              | 0.59 | \$            |
|                 | 61001-5145       | —  | NEMA 4X   | Stainless Steel | 20          | 0.006  | 5.07                 | 0.81              | 0.88              | 0.63 | \$            |
| 3               | 61003-551        | 1-056-711-0X                                 | NEMA 2    | Cast Aluminum   | 11          | 0.006  | 4.94                 | 0.81              | 0.88              | 0.59 | \$            |
|                 | 61003-5153       | 1-056-712-0X                                 | NEMA 4    | Cast Aluminum   | 11          | 0.006  | 4.94                 | 0.81              | 0.88              | 0.59 | \$            |
|                 | 61003-5155       | 1-056-714-0X                                 | NEMA 4X   | Cast Aluminum   | 11          | 0.006  | 4.94                 | 0.81              | 0.88              | 0.59 | \$            |
|                 | 61003-5145       | 1-056-71S-0X                                 | NEMA 4X   | Stainless Steel | 20          | 0.006  | 5.07                 | 0.81              | 0.88              | 0.63 | \$            |
| 6               | 61006-551        | 1-056-721-0X                                 | NEMA 2    | Cast Aluminum   | 12          | 0.006  | 4.94                 | 0.81              | 0.88              | 0.59 | \$            |
|                 | 61006-5153       | 1-056-722-0X                                 | NEMA 4    | Cast Aluminum   | 12          | 0.006  | 4.94                 | 0.81              | 0.88              | 0.59 | \$            |
|                 | 61006-5155       | 1-056-724-0X                                 | NEMA 4X   | Cast Aluminum   | 12          | 0.006  | 4.94                 | 0.81              | 0.88              | 0.59 | \$            |
|                 | 61006-5145       | 1-056-72S-0X                                 | NEMA 4X   | Stainless Steel | 21          | 0.006  | 5.07                 | 0.81              | 0.88              | 0.63 | \$            |
| 10              | 62010-551        | 1-056-731-0X                                 | NEMA 2    | Cast Aluminum   | 12          | 0.010  | 4.94                 | 0.81              | —                 | 0.59 | \$            |
|                 | 62010-5153       | 1-056-732-0X                                 | NEMA 4    | Cast Aluminum   | 12          | 0.010  | 4.94                 | 0.81              | —                 | 0.59 | \$            |
|                 | 62010-5155       | 1-056-734-0X                                 | NEMA 4X   | Cast Aluminum   | 12          | 0.010  | 4.94                 | 0.81              | —                 | 0.59 | \$            |
|                 | 62010-5145       | 1-056-73S-0X                                 | NEMA 4X   | Stainless Steel | 21          | 0.010  | 5.07                 | 0.81              | —                 | 0.63 | \$            |
| 15              | 63015-551        | 1-056-741-0X                                 | NEMA 2    | Cast Aluminum   | 13          | 0.014  | 5.31                 | 1.19              | —                 | 0.87 | \$            |
|                 | 63015-5153       | 1-056-742-0X                                 | NEMA 4    | Cast Aluminum   | 13          | 0.014  | 5.31                 | 1.19              | —                 | 0.87 | \$            |
|                 | 63015-5155       | 1-056-744-0X                                 | NEMA 4X   | Cast Aluminum   | 13          | 0.014  | 5.31                 | 1.19              | —                 | 0.87 | \$            |
|                 | 63015-5145       | 1-056-74S-0X                                 | NEMA 4X   | Stainless Steel | 23          | 0.014  | 5.44                 | 1.19              | —                 | 0.94 | \$            |
| 20              | 63020-551        | 1-056-751-0X                                 | NEMA 2    | Cast Aluminum   | 13          | 0.014  | 5.31                 | 1.19              | —                 | 0.87 | \$            |
|                 | 63020-5153       | 1-056-752-0X                                 | NEMA 4    | Cast Aluminum   | 13          | 0.014  | 5.31                 | 1.19              | —                 | 0.87 | \$            |
|                 | 63020-5155       | 1-056-754-0X                                 | NEMA 4X   | Cast Aluminum   | 13          | 0.014  | 5.31                 | 1.19              | —                 | 0.87 | \$            |
|                 | 63020-5145       | 1-056-75S-0X                                 | NEMA 4X   | Stainless Steel | 23          | 0.014  | 5.44                 | 1.19              | —                 | 0.94 | \$            |

NOTE 1: Hub length and location differ.

\*Brakes rated 1.5 through 6 lb-ft include “2-piece shaft” as standard. This includes a separate hub and shaft.  
The “1-piece” hub and shaft is available as a modification.  
Brakes rated 10 through 20 lb-ft have a 1-piece hub and shaft.



Stearns® is a Registered Trademark of Rexnord Corporation